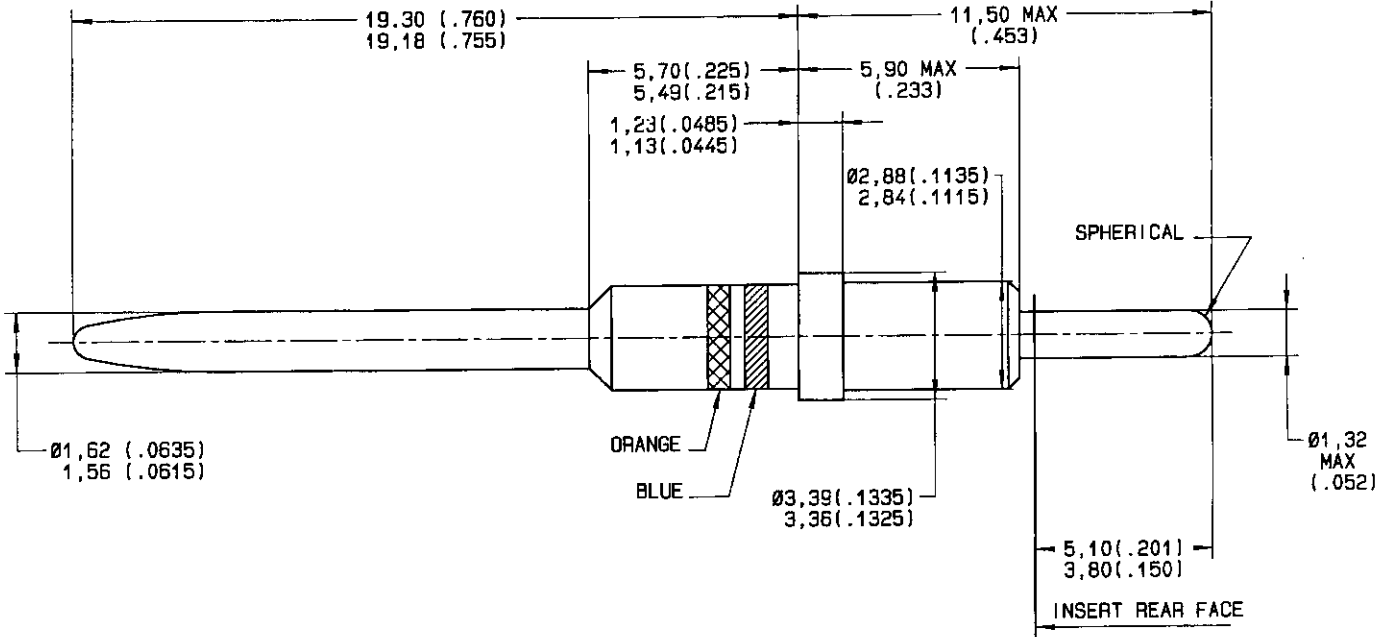


Series  
NSX

SIZE 16 FRONT RELEASE. FRONT REMOVABLE  
TIN LEAD DEPOSIT ON PC POST PIN CONTACT

Issue:  
20 JULY 99

Page  
1 / 1



\*MATERIAL:

- CONTACT: BRASS PER QQ-8-626

\*FINISH:

- CONTACT BODY: PLATING .00005 INCH OF GOLD PER MIL-G-45204 TYPE I OR II GRADE C OR D CLASS 1 OVER NICKEL PER QQ-N-290 - PWD SOLDER CONTACT AREA IS TIN LEADED PER QQ-S-571

\*INSERTION/EXTRACTION TOOL: 282504

This information is given as an indication. In the continual goal to improve our products, we reserve the right to make any modifications judged necessary.

CREATION					
PEN: M990400021A					
NOM: MACARI					
DATE: 24 MARCH 99					
APPR.: <i>MACARI</i>	20 JULY 99	11,50 MAX (.453)	WAS 11 MAX (.434)	+ 5,10 (.201)	WAS 4,60 (.181)
Issue	Revisions	Name	Approved		